

TFS 200 MSV



Versatile thermoformer for **MAP - SKIN - VACUUM**

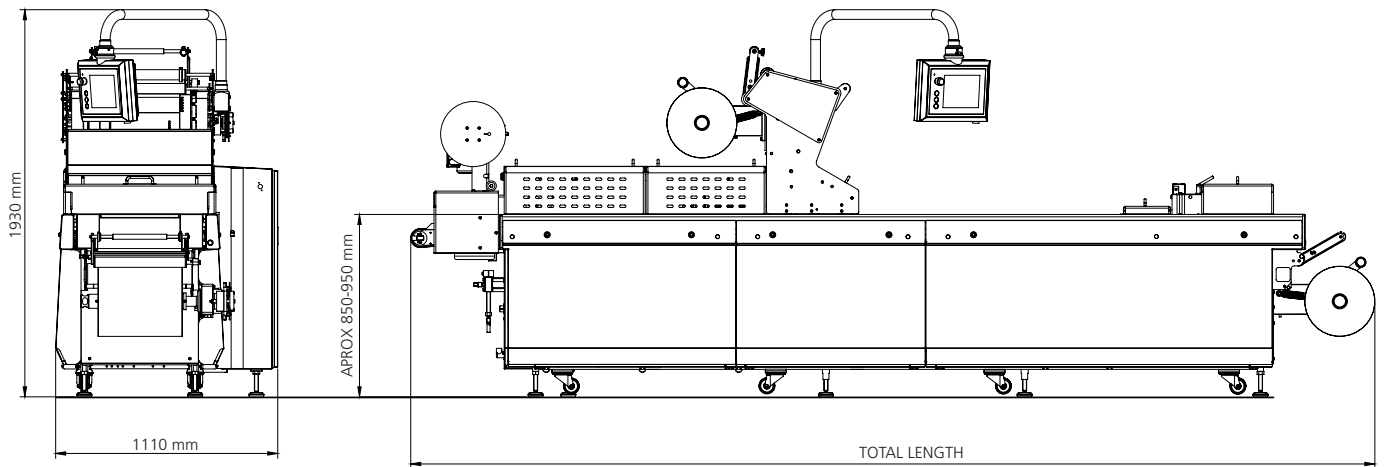
The new TFS 200 MSV thermoformer has been designed to pack your products in the way you prefer.

It can perform skin packs with 45 mm protruding as well as rigid thermoformed packages with controlled atmosphere or traditional flexible vacuum packages.

Rigid and flexible plastic materials are compatible and also combinations with carton.



TFS 200 MSV



TECHNICAL FEATURES

FILM WIDTH	422 mm
ADVANCE (MAX.)	270 mm
PACK'S DEPTH (MAX.)	30 mm (SKIN) and 50 mm (MAP / VACUUM)
PROTRUDING (MAX.)	45 mm (SKIN)
ROLL DIAMETER (MAX.)	350 mm
PACKAGING SYSTEM	SKIN, MAP, VAC
FILM THICKNESS (MAX.)	350 μ
CORE DIAMETER	76 - 152 mm
LOADING AREA	* (Sizes on request expandable)
WATER CONSUMPTION	60 - 100 l/h, 10° C
PNEUMATIC CONSUMPTION	300 - 500 l/min, 6 bar
ELETRICAL SPECIFICATIONS	230/400 V Three-phase +/- 10% + Neutral + Ground 50/60 Hz
FRAME LENGTH	4000 mm / 5000 mm / 6000 mm
TOTAL LENGTH	4580 mm / 5580 mm / 6580 mm

ULMA reserves the right to change the technical features without prior advice.

